

2 elements AC Voltage Transducer



Shenzhen Sensor Electronic
Technology Co.,Ltd

CE-VJ22-74MS3-0.5

Output: 4-20mA loop power; Power supply: 24VDC;

Aperture: none; Case Style: MS3; Accuracy: 0.5

Features

2 elements/2 ways, high isolation, low drift, small size, terminal input, din rail mounting

Specifications

Operating temperature: -10~50°C

Measuring range: 0-500V AC

Accuracy: Class 0.5

Temperature drift: 400 ppm/°C

Isolation voltage: 2500 VDC

Load capability: ≤500Ω

Response time: ≤300mS

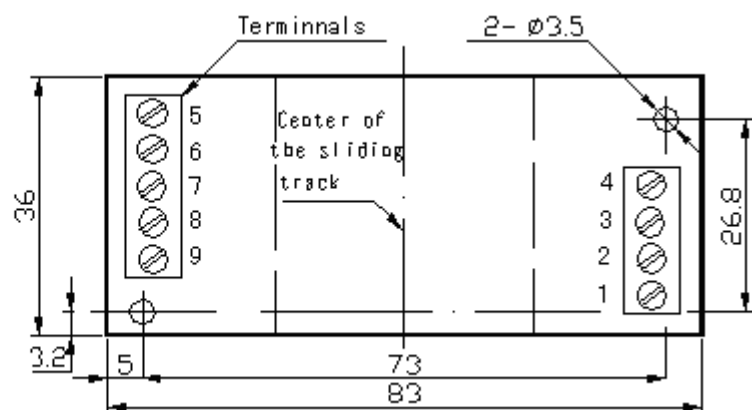
Overload: 20 times and ≤5 times/sec at 500A

Test condition: power supply 24VDC, room temperature: 25°C

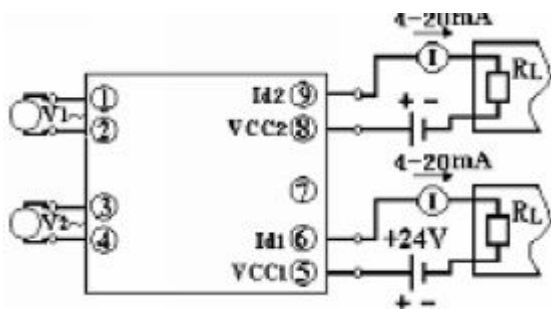
Case Style & Mounting Dimensions



83*36*76mm



Connections Diagrams



Terminal 1, 2: U1, 1st way voltage signal input
Terminal 3, 4: U2, 2nd way voltage signal input
Terminal 5: VCC1, 1st positive power supply
Terminal 6: Id1, 1st current output
Terminal 8: VCC2, 2nd positive power supply
Terminal 9: Id2, 2nd current output
Don't use all terminals named NC.

Notice

- a) All connections of the positive and negative polarities must be correct.