

Hall Effect DC Current Transducer



Shenzhen Sensor Electronic
Technology Co.,Ltd

CE-IZ04-95L6-1.0

Output: 0-4V DC; Power supply: $\pm 12V$;

Case Style: L6; Accuracy: 1.0

Features

High isolation, small size, light in weight, less power consumption, window structure, no insertion loss

Specifications

Operating temperature: $-10\sim 80^{\circ}\text{C}$

Measuring range: $0\sim \pm 50\text{ADC}$

Temperature drift: $0.1\% / ^{\circ}\text{C}$

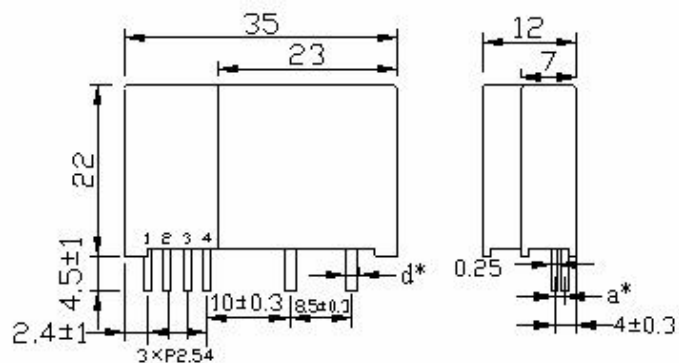
Isolation : 2.5KV DC

Current consumption: $\pm 18\text{mA}$

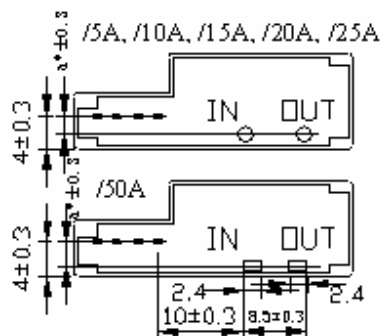
Response time: $3\mu\text{S}$

Overload: 2 times of the maximum value of measuring range

Case Style & Mounting Dimensions



Connections Diagrams



IN: Signal input
Out: Signal output

Notice

- Connect the terminals of power supply, outputs respectively and correctly, never make wrong connection.
- Two potentiometers can be adjusted, only if necessary, by turning slowly to the required accuracy with a small screwdriver
- The best accuracy can be achieved when the window is fully filled with bus-bar(current carrying conductor)
- The in-phase output can be obtained when the direction of current of carrying conductor is the same as the direction of arrow marked on the transducer case.