

Hall Effect DC Voltage Transducer



Shenzhen Sensor Electronic
Technology Co.,Ltd

CE-VZ04-83F8-1.0

Output: 0-10V; Power supply: +24V;

Case Style: F8; Accuracy: 1.0

Features

High isolation, small size, light in weight, less power consumption, window structure, no insertion loss

Specifications

Operating temperature: -10~70°C

Measuring range: 0-±2500V DC

Temperature drift: 0.01%/°C

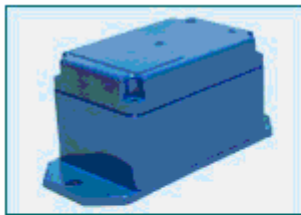
Isolation : 6KVDC

Current consumption: 18mA+output current

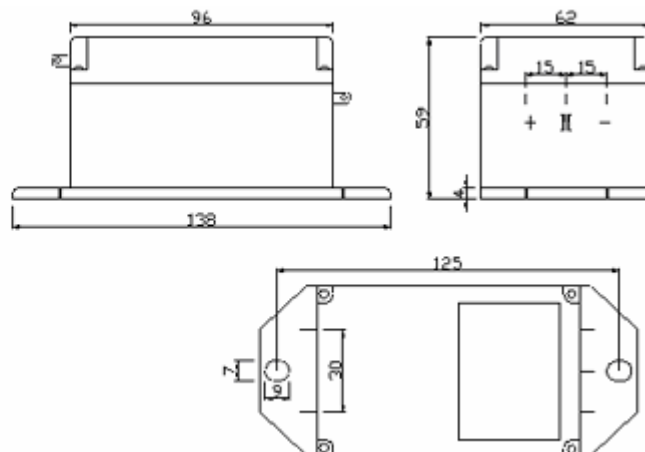
Response time: <75μS

Overload: 20 times of the maximum value of measuring range

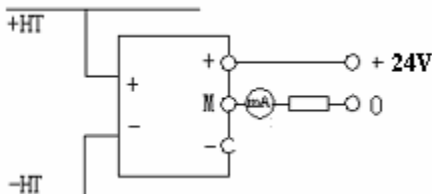
Case Style & Mounting Dimensions



138*62*59mm



Connections Diagrams



+: Positive power supply

-: No connection

M: Signal output

Notice

- The best accuracy can be achieved when the window is fully filled with bus-bar(current carrying conductor)
- The in-phase output can be obtained when the direction of current of carrying conductor is the same as the direction of arrow marked on the transducer case.