

Hall Effect DC Current Transducer



Shenzhen Sensor Electronic Technology Co.,Ltd

CE-IZ04-42C9-1.0

Output: 0-20mA; Power supply: 12VDC;

Window: $\varnothing 35\text{mm}$; Case Style: C9; Accuracy: 1.0

Features

High isolation, small size, light in weight, less power consumption, window structure, no insertion loss

Specifications

Operating temperature: $-10\sim 80^{\circ}\text{C}$

Measuring range: $0\pm 50\sim \pm 1000\text{A DC}$

Temperature drift: $0.025\% / ^{\circ}\text{C}$

Isolation : $3\text{KVRMS}/50\text{Hz}/1\text{Min}$

Current consumption: $\pm 25\text{mA}$

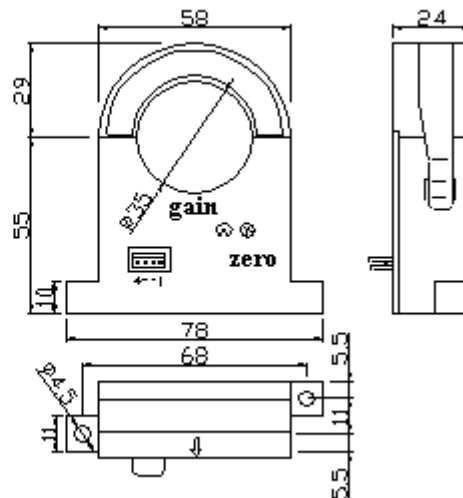
Response time: $7\mu\text{S}$

Overload: 20 times of the maximum value of measuring range

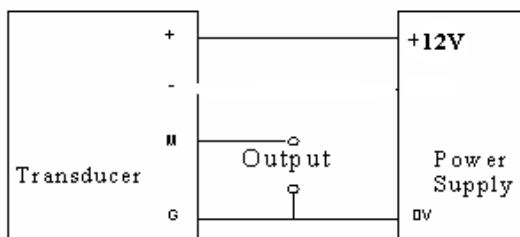
Case Style & Mounting Dimensions



L*W*H: 78*24*84mm



Connections Diagrams



+: Positive power supply
-: NC
M: Signal output
G: Ground

Notice

- The best accuracy can be achieved when the window is fully filled with bus-bar(current carrying conductor)
- The in-phase output can be obtained when the direction of current of carrying conductor is the same as the direction of arrow marked on the transducer case.