

AC Voltage Digital Transducer



Shenzhen Sensor Electronic
Technology Co.,Ltd

CE-AV42-14MN-0.2

Output: RS485, ASCII format; Power supply: 24 VDC;

Case Style: MN; Accuracy: 0.2

Features

3-phase-4-wire, treble isolation, low drift, small size, terminal input, din rail mounting

Specifications

Operating temperature: -10~50°C

Measuring range: 0-500V AC

Baud rate: 19.2K, 9600(default), 4800, 2400, 1200

Isolation voltage: 2500 V_{DC}

A/D speed : ≤100mS

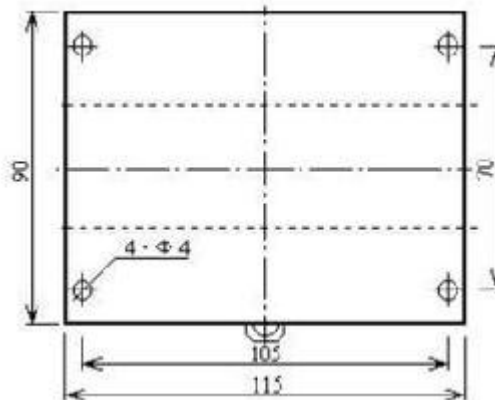
Overload: 2*Voltage span for 1 sec.10 times with an interval of 10 sec.

Test condition: power supply 24VDC, room temperature: 25°C

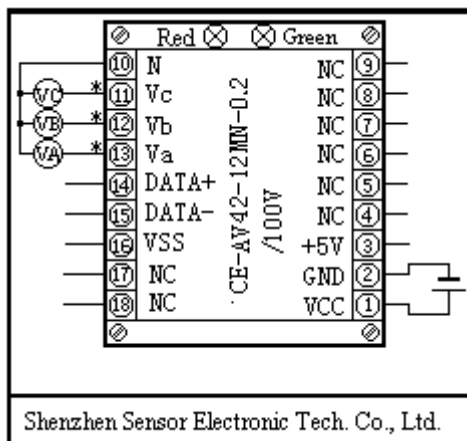
Case Style & Mounting Dimensions



90*115*75mm



Connections Diagrams



- Terminal 1: Vcc
- Terminal 2: GND
- Terminal 3: +5V
- Terminal 10: Neutral point
- Terminal 11: Vc
- Terminal 12: Vb
- Terminal 13: Va
- Terminal 14: DATA+
- Terminal 15: DATA-
- Terminal 16: Vss, the ground of RS-485