

AC Multi-parameter Digital Transducer



Shenzhen Sensor Electronic Technology Co.,Ltd

CE-AJ42-14MN-0.5

Output: RS485 ASCII format; Power supply: 24 VDC;
Aperture: none; Case Style: MN; Accuracy: 0.5

Features

Treble isolation, 3-phase 4-wire, 12 parameter outputs, low drift, small size, input by terminal, din rail mounting

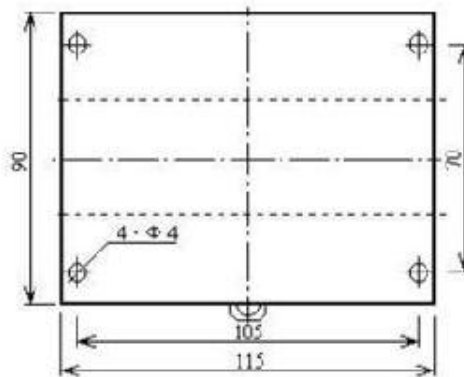
Specifications

Operating temperature: -10~+55°C
Measuring range: 0-5A, 0-500V, 45-65Hz
Temperature drift: 300 ppm/°C
Baud rate: 19.2K, 9600(default), 4800, 2400, 1200
Isolation voltage: 2500 V DC
A/D speed : ≤100mS
Test condition: power supply 24VDC, room temperature: 25°C

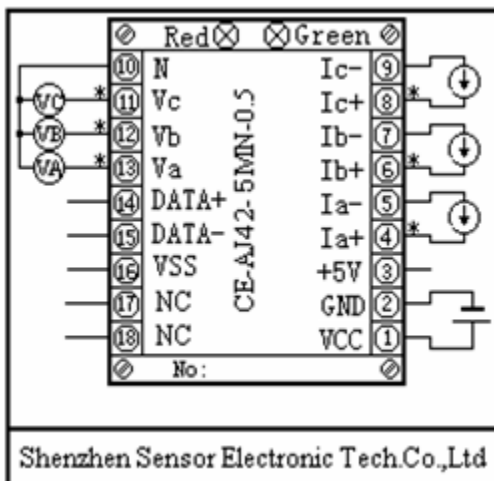
Case Style & Mounting Dimensions



90*115*75mm



Connections Diagrams



- Terminal 1: VCC
- Terminal 2: GND
- Terminal 3: +5V
- Terminal 4: Ia+
- Terminal 5: Ia-
- Terminal 6: Ib+
- Terminal 7: Ib-
- Terminal 8: Ic+
- Terminal 9: Ic-
- Terminal 10: Neutral point
- Terminal 11: Vc
- Terminal 12: Vb
- Terminal 13: Va

- Terminal 14: DATA+
- Terminal 15: DATA-
- Terminal 16: VSS