

AC Multi-parameter Digital Transducer



Shenzhen Sensor Electronic Technology Co.,Ltd

CE-AJ32-14MN-0.5

Output: RS485 ASCII format; Power supply: 24 VDC;

Aperture: none Case Style: MN; Accuracy: 0.5

Features

3-phase 3-wire (two-wattmeter method), treble isolation, low drift, small size, terminal input, din rail mounting

Specifications

Operating temperature: -10~+55°C

Measuring range: 0-5A, 0-500V, 45-65Hz

Temperature drift: 300 ppm/°C

Baud rate: 19.2K, 9600(default), 4800, 2400, 1200

Isolation voltage: 2500 V DC

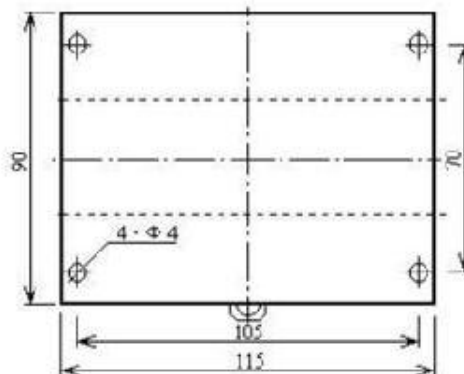
A/D speed : ≤100mS

Test condition: power supply 24VDC, room temperature: 25°C

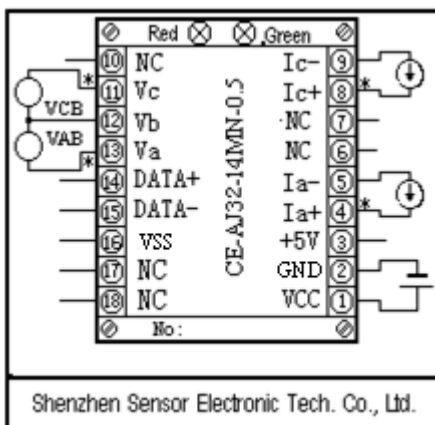
Case Style & Mounting Dimensions



90*115*75mm



Connections Diagrams



Terminal 1: VCC

Terminal 2: GND

Terminal 3: +5V

Terminal 4: Ia+

Terminal 5: Ia-

Terminal 8: Ic+

Terminal 9: Ic-

Terminal 11: VC

Terminal 12: VB

Terminal 13: VC

Terminal 14: DATA+

Terminal 15: DATA-

Terminal 16: VSS