

CE-AJ12B-14MN-0.5

Output: RS485 ASCII format; Power supply: 24 VDC;

Aperture: none; Case Style: MN; Accuracy: 0.5

Features

1 phase, treble isolation, with energy data power failure protection function, low drift, small size, terminal input, din rail mounting

Specifications

Operating temperature: -10~+55°C

Measuring range: 0-5A, 0-500V, 45-65HZ

Temperature drift: 300 ppm/°C

Baud rate: 19.2K, 9600(default), 4800, 2400, 1200

Isolation voltage: 2500 V DC

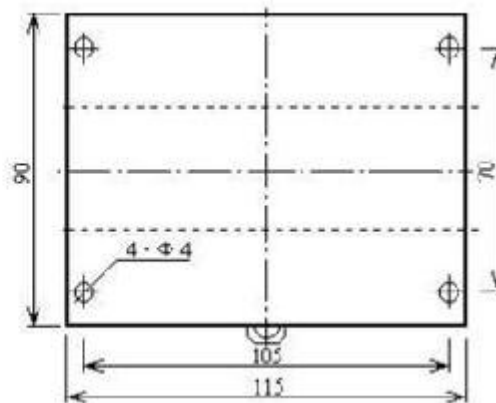
A/D speed : ≤100mS

Test condition: power supply 24VDC, room temperature: 25°C

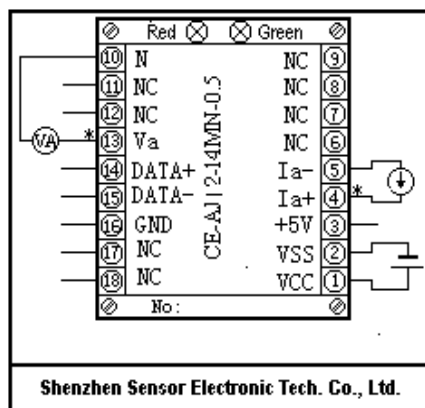
Case Style & Mounting Dimensions



90*115*75mm



Connections Diagrams



Terminal 1: VCC, Positive power supply

Terminal 2: VSS. Negative power supply

Terminal 3: +5V

Terminal 4: Ia+

Terminal 5: Ia-

Terminal 10: Neutral point

Terminal 13: Va

Terminal 14: RS485, data+

Terminal 15: RS485, data-

Terminal 16: GND