

AC Multi-parameter Digital Transducer



Shenzhen Sensor Electronic Technology Co.,Ltd

CE-AJ12-14MN-0.5

Output: RS485 ASCII format; Power supply: 24 VDC;

Aperture: none; Case Style: MN; Accuracy: 0.5

Features

Treble isolation, 1 element, low drift, small size, terminal input, din rail mounting

Specifications

Operating temperature: -10~+55°C

Measuring range: 0-5A, 0-500V, 45-65HZ

Temperature drift: 300 ppm/°C

Baud rate: 19.2K, 9600(default), 4800, 2400, 1200

Isolation voltage: 2500 V DC

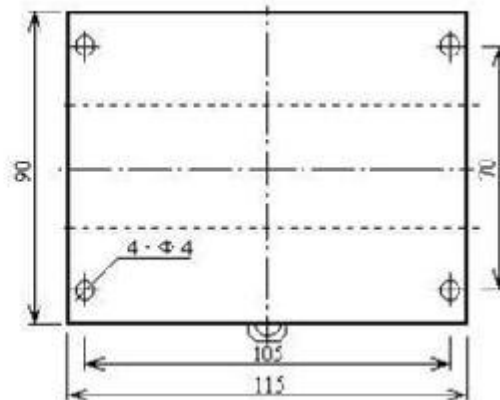
A/D speed : ≤100mS

Test condition: power supply 24VDC, room temperature: 25°C

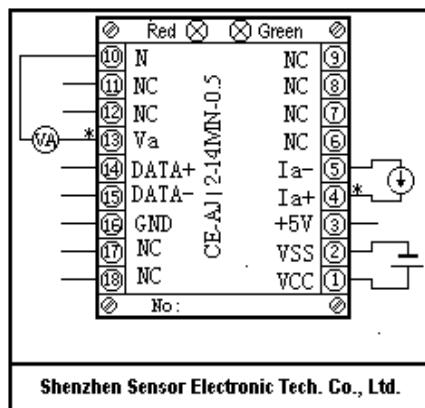
Case Style & Mounting Dimensions



90*115*75mm



Connections Diagrams



- Terminal 1: VCC, Positive power supply
- Terminal 2: VSS. Negative power supply
- Terminal 3: +5V
- Terminal 4: Ia+
- Terminal 5: Ia-
- Terminal 10: Neutral point
- Terminal 13: Va
- Terminal 14: RS485, data+
- Terminal 15: RS485, data-
- Terminal 16: GND